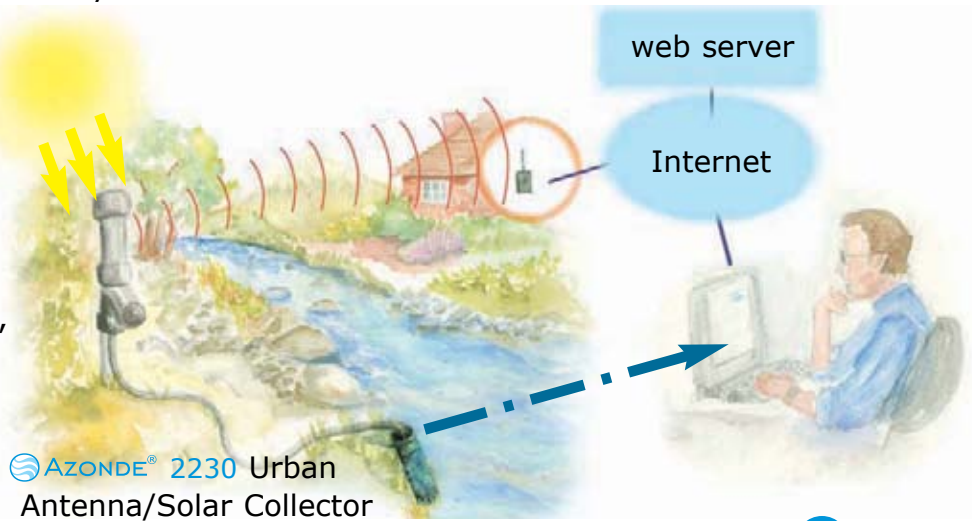


# THE AZONDE® 2230 URBAN WIRELESS INSTRUMENT FOR STREAM MONITORING

A water monitoring instrument that puts those seasonal hydrographs where everyone can see them – on the 'net'.

The AZONDE® 22xx series of wireless stream monitors – ready assembled, solar powered and with wireless data transmission – for recording stream parameters – stage/height, temperature, and electrical conductivity. Installation is plug'n'play – with low to no maintenance.



NO MATTER WHERE YOUR STREAM IS, THERE IS A WAY OF INEXPENSIVELY TRANSMITTING BACK TO THE 'NET'.

2

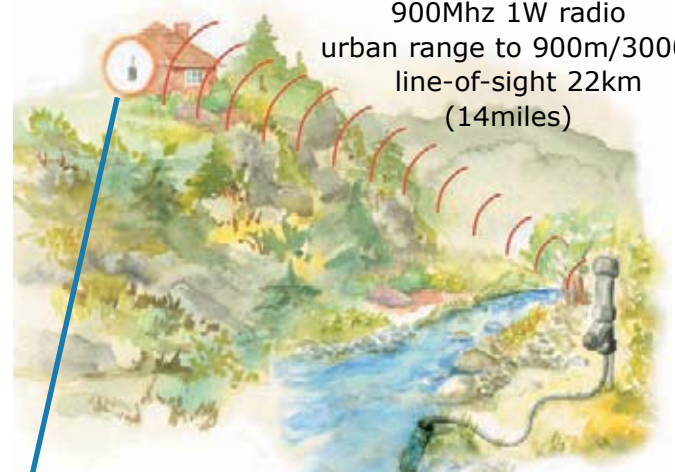
ACROSS THE REMOTEST VALLEY

900Mhz 1W radio  
urban range to 900m/3000'  
line-of-sight 22km  
(14miles)



JUST NEXT DOOR

2.4GHz 100mW radio  
urban range to 100m/300',  
line of sight 1200m/4000'



3

ANYWHERE THERE IS CELL PHONE COVERAGE

The Cellular Radio  
CDMA or GPRS radio



Combine multiple AZONDE® instruments together to build a watershed view. See it at [www.azonde.com/2200](http://www.azonde.com/2200), or for more info call (707)780-1569 or email [NeilHancock@azonde.com](mailto:NeilHancock@azonde.com)

# AZONDE® 22xx SPECIFICATIONS

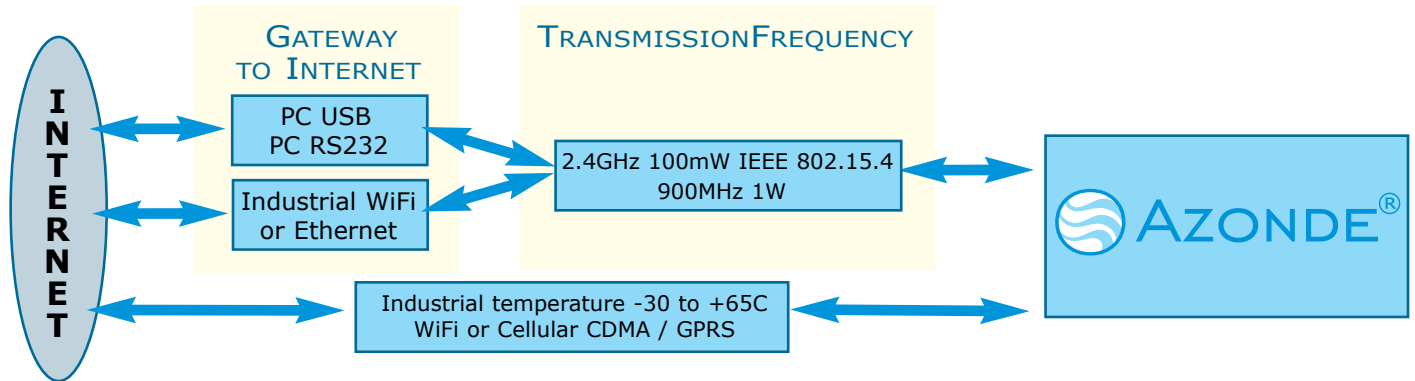
Stage/height		
Range	0-3.5m (0-11ft)	0-20m (0-60ft)
Resolution	0.001m (0.01ft)	0.002m (0.01ft)
Accuracy	±0.015m(0.04ft)	±0.04m(±0.15 ft)
Temperature		
	<b>WATER</b>	<b>AIR</b>
Range	-5 to +25C	-20 to +40C
Resolution	±0.1C	±0.1C
Accuracy	±0.2C	±1.0C

## OPTIONS

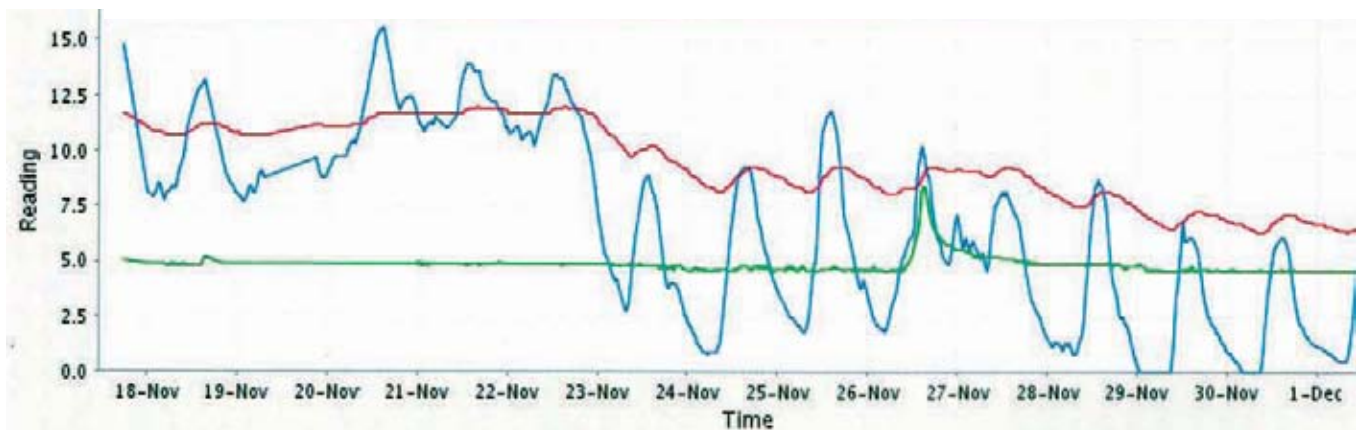
Cable length between Azonde probe and RF Antenna	20 feet 40 feet Custom lengths on request
--------------------------------------------------	-------------------------------------------------

Azonde RF transmission options	2.4GHz 100mW IEEE 802.15.4 <ul style="list-style-type: none"> <li>Indoor/urban range up to 100m(300')</li> <li>Outdoor line of sight up to 1200m(4000ft)</li> </ul> <hr/> 900MHz 1W <ul style="list-style-type: none"> <li>Urban range up to 900m (3000')</li> <li>Outdoor line-of-sight up to 22,000m (14miles)</li> </ul> <hr/> Cellular CDMA or GPRS <ul style="list-style-type: none"> <li>cell site within required range,</li> <li>call for options/distances.</li> </ul>
--------------------------------	---------------------------------------------------------------------------------------------------------------------------------------------------------------------------------------------------------------------------------------------------------------------------------------------------------------------------------------------------------------------------------------------------------------------------------------------------------------------------------

Powering	Azonde 2220 CRV <ul style="list-style-type: none"> <li>external antenna and powering</li> <li>6-30V DC. Power dependent on options,</li> <li>peak power 7W for cellular CDMA or GPRS options.</li> </ul> <hr/> Azonde 2230 Urban <ul style="list-style-type: none"> <li>integrated solar cell with</li> <li>energy management &amp; 2.1A LiIon battery.</li> <li>Option 3 D battery Cells</li> </ul>
----------	------------------------------------------------------------------------------------------------------------------------------------------------------------------------------------------------------------------------------------------------------------------------------------------------------------------------------------------------------------------------------------------------------



AZONDE® 22xx readings are stored on a protected web server on the internet or on a Windows XP/Vista machine and displayed in web browser.



Feedback form – [www.azonde.com/feedback](http://www.azonde.com/feedback) or email [feedback@azonde.com](mailto:feedback@azonde.com)